

## Company Name & Address:

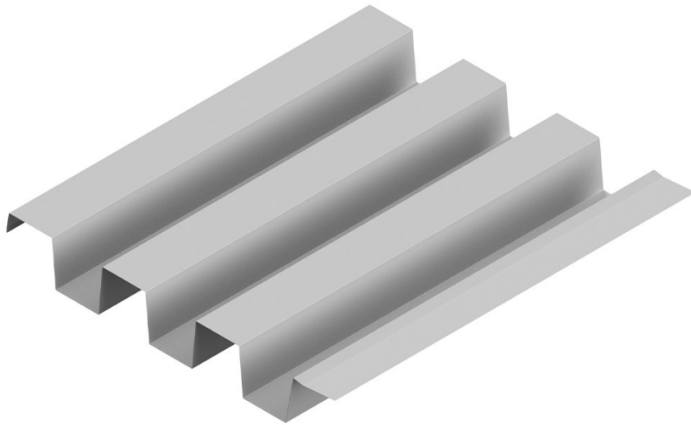
Stratco (Australia)

**Address For Service:** 125 Cavan Rd, Gepps Cross SA 5094

**Website:** [www.stratco.com.au](http://www.stratco.com.au)

**Contact:** <https://www.stratco.com.au/contact/>

**Product:** Stratco NINELINE™ - ` Wall Cladding



## Description

Due to its boxy shape NINELINE™ BOX provides superior strength alongside enduring style. Rigorously tested by Stratco Australia, it will be suitable for all residential and commercial application.

This innovative approach delivers the desired aesthetic without relying on the traditional combination of a weatherproof wall system and a separately applied batten product.

## Place Of Manufacture

Australia

## Design Considerations

- Effective cover 590mm
- Rib height 90mm
- Maximum Sheet Length – 6000mm
- Minimum Sheet Length – 300mm
- Fixing Type – Pierce Fix
- Base Metal Thickness – 0.55mm
- Yield Strength - 300 MPa
- Purlin spacing not to exceed maximum spans as per NINELINE™ span tables, refer Stratco NINELINE™ Box Design Guide. [https://stratco-arc.com.au/wp-content/uploads/2024/10/Nineline-Design-Guide\\_BOX\\_Aug24.pdf](https://stratco-arc.com.au/wp-content/uploads/2024/10/Nineline-Design-Guide_BOX_Aug24.pdf)
- Allow for thermal movement of product using Stratco's NINELINE™ design detail drawings to meet NCC Building
- Ensure compatibility when using NINELINE™ wall cladding with other building products to prevent accelerated corrosion.

## Building Code Compliance

The product will, if used in accordance with Stratco's installation and maintenance requirements meet the following provisions of the building code:

### NCC Volume 1 - For class 2 to 9 Buildings

- Section B1P1 Performance Requirements - Structural Reliability
- Section B1P2 Performance Requirements - Structural Resistance
- Section F3D5 Deemed-to-Satisfy Provisions – Wall Cladding: AS 1562.1
- Section F3F1 Functional Statements - Roof and Wall Cladding

### NCC Volume 2 - For class 1 and 10 Buildings

- Section H1D7 Deemed-to-Satisfy Provisions - Roof and wall cladding: AS 1562.1
- Section H2D6 Deemed-to-Satisfy Provisions - Roof and wall cladding: AS 1562.1

Published Capacity tables in reference manuals are suitable to determine structural adequacy and serviceability of nominated products for individual projects referencing the following Australian Standards and NCC requirements:

- NCC, Volume 1, Section B - Structure, Part B1 -Structural provisions (Deemed-to-Satisfy Provisions), Clause BID2 Resistance to actions, and Clause BID3 Determination of individual actions.
- NCC, ABCB Housing Provisions, Part 2.2 - Structural provisions, (Deemed-to-Satisfy Provisions), Clause 2.2.2 Resistance to actions, and Clause 2.2.3 Determination of individual actions.

Materials are deemed non-combustible and meets requirements:

- NCC, Volume 1 Part C1, C2D10, (5) and (6)(e) and Volume 2: Section H, Part H3, H3D2, (1)(e) : AS/NZS 1530.3:1999 (R2016)

## Testing and Supporting Evidence

### Australian Standards Compliance

- AS 1562.1-2018 - Design and installation of sheet roof and wall cladding - Part 1: Metal
- AS 4040.0-1992 - Methods of testing sheet roof and wall cladding
- AS 4040.2-1992 (Rec: 2016, Amd 1:2018) - Methods of testing sheet roof and wall cladding, Part 2: Resistance to wind pressures for non-cyclone regions
- AS/NZS 1170.0:2002 - Structural design actions - Part 0: General principles
- AS/NZS 1170.1:2002 - Structural design actions Part 1: Permanent, Imposed and other actions
- AS/NZS 2728:2013 - Prefinished/prepainted sheet metal products for interior/exterior building applications - Performance requirements
- Coated steel substrate conforms with AS 1397:2021 - Continuous hot-dip metallic coated steel sheet and strip - Coatings of zinc and zinc alloyed with aluminium and magnesium

## Warranty

It is important to choose the appropriate materials for the location to ensure they meet the minimum durability requirements of the NCC and satisfy customer expectations.

For project specific environment zone product selection contact Stratco for further information.

Warranty for wall cladding material:

- ZINCALUME® Steel (up to 15 years)\*
- COLORBOND® Steel (up to 30 years)\*
- COLORBOND® Steel Matt finish (up to 30 years)\*
- COLORBOND® Steel Metallic finish (up to 20 years)\*
- COLORBOND® Ultra Steel – Severe Environment (up to 30 years)\*

\*Warranties are subject to application and eligibility requirements

## Finishes

Available in selected core and custom studio finishes and substrate metallic with aluminium/zinc/magnesium alloy coating:

- COLORBOND® Steel – AM100
- COLORBOND® Steel Matt finish – AM 100
- COLORBOND® Steel Metallic finish – AM100
- COLORBOND® Ultra Steel – AM150 - Severe Environment
- UniCote® LUX Pre-painted Steel – AM150

Also available unpainted with selected alloy coating:

- ZINCALUME® Steel – AM125
- TRADITIONAL GALVANISED – Z600

## Installation

Packs of NINELINE™ sheeting should always be kept dry and stored above ground level on site. If the sheets have become wet, they should be separated, wiped and placed in the open to dry.

Black lead pencils must never be used for marking aluminium/zinc, and unpainted or pre-painted steel products. The carbon in the pencil promotes corrosion which will etch the surface of the material, leaving a permanent mark. Use a pencil of any colour other than black, a marker pen, or crayon.

Cutting of pre-painted steel material should be by shear with nibblers or hand shears. The use of cold cutting saw can be used with an appropriate tungsten blade.

All debris must be swept off the job at the end of each day. Prevention of swarf damage is far easier than its cure.

NINELINE™ sheets are laid lapped to sit neatly on the preceding sheet.

Flashings are to be installed using multi piece under and top flashings with minimal visible fixings as detailed using Stratco design details to comply with NCC Building Code.

Refer [https://stratco-arc.com.au/wp-content/uploads/2024/10/Nineline-Design-Guide\\_BOX\\_Aug24.pdf](https://stratco-arc.com.au/wp-content/uploads/2024/10/Nineline-Design-Guide_BOX_Aug24.pdf)

## Maintenance

All roofing and cladding products are subject to the cumulative effects of weather, dust and other deposits so the performance and durability of NINELINE™ wall cladding over time depends on its correct maintenance as per the Stratco - Selection, Use and Maintenance Manual.

Refer [https://www.stratco.com.au/siteassets/pdfs/selection\\_use\\_and\\_maintenance.pdf](https://www.stratco.com.au/siteassets/pdfs/selection_use_and_maintenance.pdf)

## Tolerances

Tolerances: Sheet width +/- 2mm Sheet length +/-5mm