



ARCHITECTURAL
SOLUTIONS



NINELINE

Architectural
Wall Cladding



NINELINE™ Box

 **STRATCO**



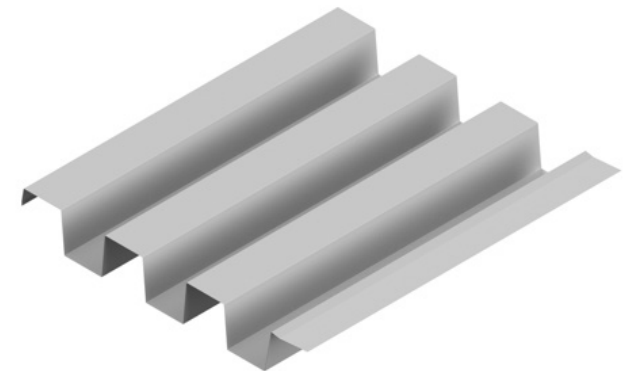
NINELINE™ Box

A bold geometric reinterpretation of a conventional corrugated profile.

With a 90mm rib height, the form is as deep as it is wide, giving a uniform appearance. Its increased profile depth combined with less than 50% substrate contact results in improved cavity ventilation and reduced condensation build up when compared to traditional profiles. Scale of this form is new to the Australian built environment – it combines style and functionality.

Features at a glance:

- Rib Height: 90mm
- Coverage: 590mm
- BMT: 0.55mm
- Fixing Method: Pierced Fix
- Maximum Length: 6.0m
- Minimum Length: 0.3m
- Available in Colorbond® Standard, Matt Finish, ULTRA, Metallic and Stratco Bronze.





NINELINE™ Box

TECHNICAL INFORMATION:

For all specification and detailing information scan the QR code.



APPLICATION:

- Wall Cladding
– External and internal use



1300 155 155 | stratco.com.au

Scan this QR code to



find a Stratco near you.



The information contained within this brochure is for general use and information only. Stratco Australia recommends that you obtain appropriate expert advice confirming the suitability of product(s) and information in relation to the proposed application.

All brand names, images accompanied by © or ™ remain the property of Stratco Australia.