

**CUTTING EDGE STYLE,
WE'LL BRING THE
How To.**

 **STRATCO**



EDGE GUTTER™

MODERN | CONTEMPORARY | ARCHITECTURAL

EDGE GUTTER™

THE LATEST CUTTING EDGE STYLE IN GUTTER DESIGN

FORM AND FUNCTION

It's versatile, attractive and easy! The smooth, straight lines and lack of external brackets gives Edge Gutter the striking aesthetic and modern appeal you desire.

- The new Stratco Edge Gutter is suitable for new construction and existing homes
- Stylish and adaptable gutter profile with a smooth and neat appearance
- Suits all modern, contemporary and architecturally designed homes
- Ideal new look and simple design to suit both steel or tile roof applications
- Designed with generous water carrying capacities
- Available in all Stratco colours
- Full range of accessories available
- Edge 160 is suitable for 75mm round or 100 x 50mm rectangular outlets
- Edge 200 is suitable for 90mm round or 100 x 75mm rectangular outlets.

HIGH FRONTED EDGE GUTTER

High fronted gutters hide the lower edge of tiles or roof cladding which creates an aesthetically pleasing appearance. It is important that sufficient overflow measures are included in the design of the guttering system and that high fronted gutters are installed in such a way that if they overflow, it will not result in water flowing back into the roof or building.

The design and installation of guttering and downpipe systems needs to comply with the Building Code of Australia and Australian Standards AS/NZS 3500.3 Plumbing and Drainage, Stormwater Drainage and AS/NZS 3500.5 National Plumbing and Drainage, Domestic Installations. It is also important that relevant State regulations are satisfied.

For example, New South Wales legislation requires all gutter and downpipe installations be undertaken by a suitably licensed installer who holds a current certificate issued by the NSW Office of Fair Trading.

TORRENT SPACER GUTTER CLIP

When used with Stratco's exclusive patented Torrent Spacer gutter clip, Edge Gutter is the epitome of form and function. Demonstrated to perform in accordance with AS/NZS 3500, this solution affords the bold striking lines of Edge Gutter whilst still meeting overflow requirements.

MAINTENANCE REQUIREMENTS

The performance of Edge Gutter over time depends on its correct application and maintenance. Maintenance should be performed as often as is required to remove any dirt, salt and pollutants.

Where used in severely corrosive environments, cleaning should be performed more often.

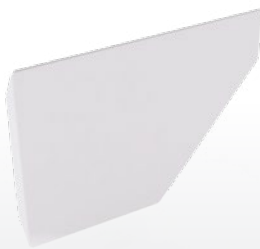
Refer to the Stratco 'Selection, Use and Maintenance' brochure, for more detailed information about the correct use and maintenance of this product.



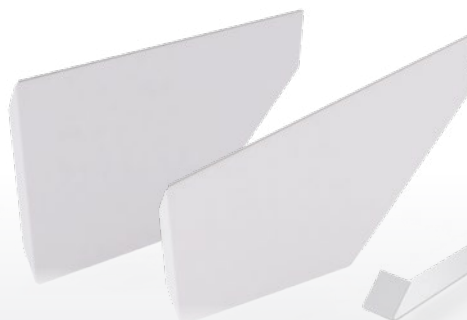
COMPONENTS



TORRENT SPACER GUTTER CLIP



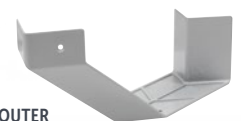
EDGE 160 STOP END



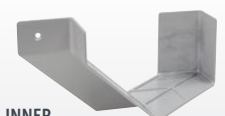
EDGE 200 STOP END (+ WA VERSION)



GUTTER BRACKET

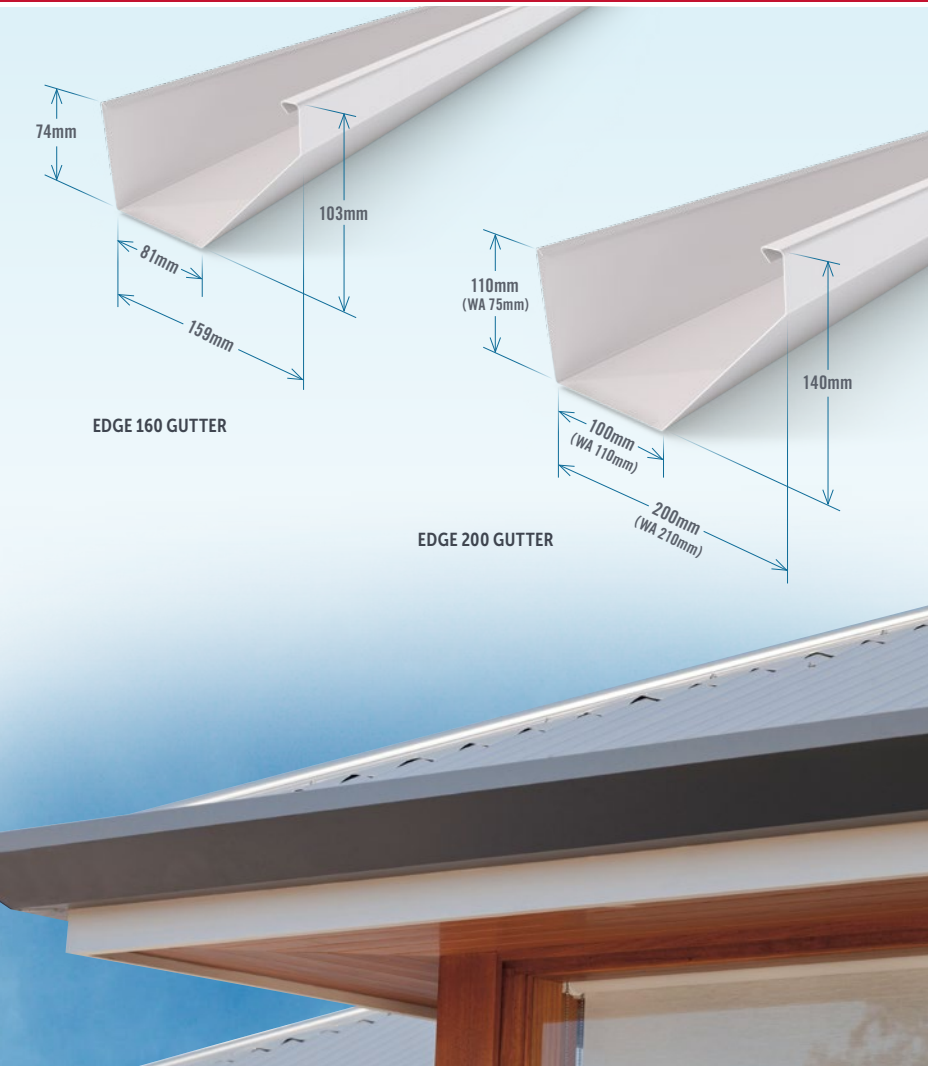


OUTER



INNER

EDGE 160 ANGLE



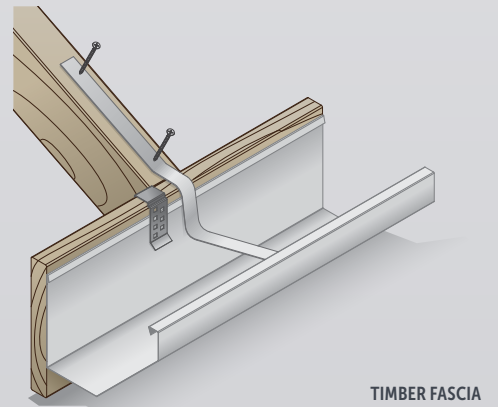
EDGE 160 GUTTER

EDGE 200 GUTTER

EDGE GUTTER BRACKET

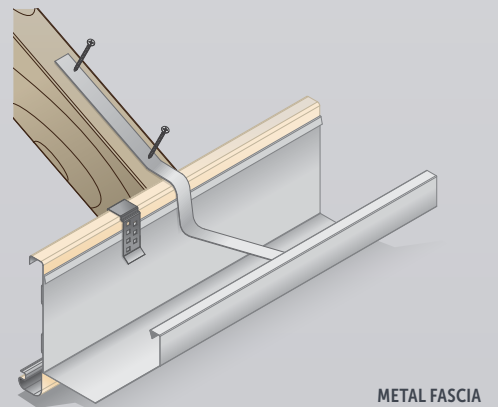
Edge Gutter is available for fixing to steel or timber fascia with the use of Stratco Torrent Spacer gutter clip depending on your overflow requirements.

When fixing Edge Gutter to timber fascia ensure the bracket is secured using a minimum of two self drilling timber screws into the rafter. Bend bracket as required to ensure correct fit.



TIMBER FASCIA

When fixing Edge Gutter to metal fascia ensure the bracket is secured using a minimum of two self drilling timber screws into the rafter. Bend bracket as required to ensure correct fit.

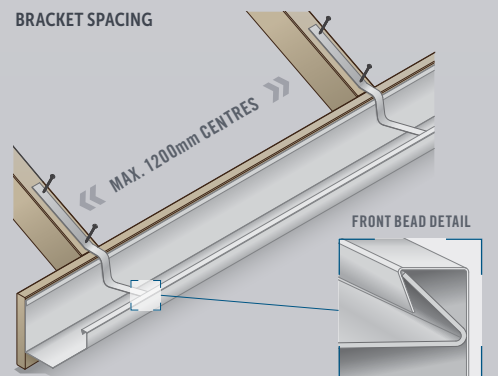


METAL FASCIA



Installation of multiple Edge Gutter Brackets should be spaced at maximum 1200mm centres. Ensure the bracket hook fold is correctly positioned.

BRACKET SPACING



GUTTER SPECIFICATIONS

Gutter	Tensile (MPa)	BMT (mm)	Type	Capacity (mm ³)	Total Cross Sect. Area (mm ²)
Edge 160	G550	0.42	Standard	7,125	8,612
Edge 200	G300	0.55	Standard	14,858	16,833
Edge 200*	G300	0.55	Standard	9,151	10,936

*Available in WA

NOTE: Calculation of effective cross sectional area 'Capacity' for each nominal size of eaves gutter is based on requirements of section 3.8 AS/NZS 2179.1:1994.



ROOFING



« SCAN THIS QR CODE TO FIND A STRATCO NEAR YOU

1300 155 155
stratco.com.au

All brands and logos/images accompanied by © or ™ are trade marks of Stratco (Australia) Pty Limited. © Copyright December 2013

How To.

